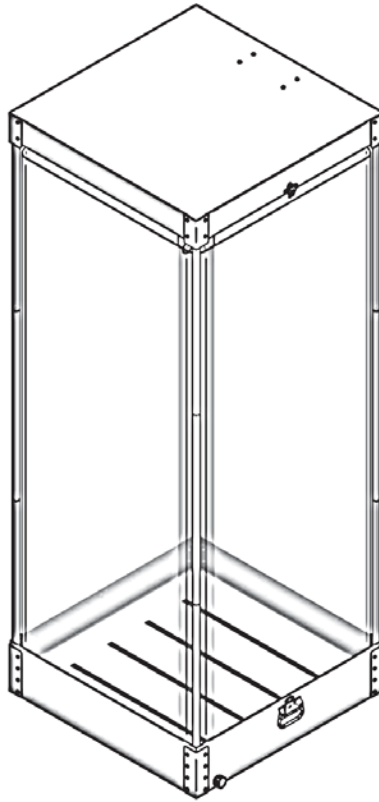




S4000EU Shower

INSTRUCTION MANUAL



Abatement Technologies, Inc./Asbestos Abatement Division

**Abatement Technologies, Inc.
Georgia, USA
800-634-9091**

**Abatement Technologies, Ltd.
Ontario, Canada
905-871-4720**

Abatement Technologies, Inc.

S4000EU Collapsible Shower

INSTRUCTION MANUAL

©Abatement Technologies, Inc 2007 All Rights Reserved. No reproduction of any portion of this work is permitted without the express written permission of Abatement Technologies, Inc.

READ AND SAVE THESE INSTRUCTIONS!

Note:

1. Read and understand all operating instructions before assembling and using the S4000EU Collapsible Shower.
2. Save this instruction manual for future reference.

This manual provides important information on the installation and use of the S4000EU Collapsible Shower. These instructions must be carefully followed in order to assemble and use the unit safely and correctly. If you have any questions regarding the units, call Abatement Technologies at 800-634-9091 (US) or 905-871-4720 (Canada) for assistance.

GENERAL INFORMATION

The S4000EU Collapsible Shower is designed to be used for personnel decontamination.

KEY COMPONENTS:

- ❑ Aluminum top with affixed valve and shower head
- ❑ Four collapsible support poles
- ❑ Aluminum base with drain hose connection
- ❑ Removable floor with non-skid tape
- ❑ Two vinyl shower curtains

IMPORTANT: Read the following warnings and instructions before assembling or using.

WARNING: Failure to follow all instructions may result in serious personal injury, death, or property damage.

DANGER: The frame and posts are made of metal. Metal conducts electricity. Use extreme caution when using near electrical circuits, conductors or equipment!

Any pump or other electrical equipment used with the S4000EU must be UL listed, approved for the application, properly grounded, and connected to a ground fault protected circuit. Follow all pump manufacture's instructions.

To protect against scalding, always turn ON the cold water first and turn OFF the hot water first.

Inspect for damage before each use. Be sure all parts are present and in working order.

Use only on a level, flat surface.

For indoor use only.

NOTE: The U.S. Environmental Protection Agency's publication "Guidance for Controlling Asbestos-Containing Materials in Buildings", EPA 506/5-85-024, includes helpful information on asbestos abatement. The most recent edition of this EPA publication should be read before performing any asbestos abatement work.

Abatement Technologies strongly urges all users to follow the most recent guidelines and/or standards published by the Occupational Safety and Health Administration, Environmental Protection Agency, and all other federal, state, provincial, and local regulations.

ASSEMBLY:

Unlatch the two latches that connect the top and bottom (Figure B, Item 1) and remove the top.

Lift out the floor using the open hand slot.

Remove all component parts and replace the floor.

The unit includes 12 poles which must be assembled into 4 pole assemblies. Each complete pole is comprised of a center pole section that has a treaded bolt on each end (Figure A, Item 1) and two end pole sections with a corresponding nut on each end (Figure A, Item 2.) Screw an end pole section onto each threaded end of the center pole section.

Slide a completed pole assembly into each of the four bottom corner posts on the base. (Figure A, Item 3.) Push down to be certain that they are seated as far as they can go.

Assemble the top section to the poles by aligning all four top corner posts with the top of the poles and exerting force downward to seat the poles as far as they can go into the corner posts (Figure A, Item 4.)

Attach the hot and cold water supply hoses to the tap assembly.

Remove the cap and connect the drain hose to the drain fitting if a filtration pump is going to be used. (Figure A, Item 5.)

Attach holes of the two shower curtains onto the metal hooks. Be sure the shower curtains are inside of the lip on the base.

S4000EU SPECIFICATIONS:

Height: 81"

Length and Width: 30"

Weight: 41 Pounds

LIMITED WARRANTY:

Abatement Technologies, Inc (ATI) warrants that goods sold to the original user shall be free from defects in material and workmanship for a period of 1 years, except such as are commercially acceptable. This warranty does not include useful filter life. **ATI does not warrant that the goods sold are merchantable or fit for any particular purpose. ATI makes no warranties other than as stated in this paragraph. All other warranties, guaranties, or representations, express or implied, by operation of law or otherwise, are expressly disclaimed.** Goods found by ATI to be defective or not to conform to specification shall upon return be replaced or repaired by ATI without any additional charges, or, at ATI's option, ATI may refund the purchase price of such goods. ATI will pay return transportation charges on returned goods not exceeding the transportation charges applicable to shipment from original destination unless the returned goods are free from defect and conform to specifications. Returned goods which are found by ATI to be free from defect and to conform to specifications shall be held for Purchaser's shipping instructions, which instructions Purchaser shall furnish promptly upon request. **ATI's liability shall in no event extend beyond replacement, repair or refund of the purchase price and ATI shall not be liable under any circumstances for special, contingent or consequential damages, nor for loss, damages, or expenses directly or indirectly arising from the use of the goods, including without limitation, warehousing, labor, handling and service charges, die, equipment, or machine breakage, nor for costs, lost profits or loss of good will. The use of substitute, non-ATI parts and/or filters, in any ATI product, voids all warranties and performance claims. The remedies set forth herein are exclusive.**

For warranty information and assistance contact Abatement Technologies' Customer Service Department at 800-634-9091 (U.S.) or 905-871-4720 (Canada.)

